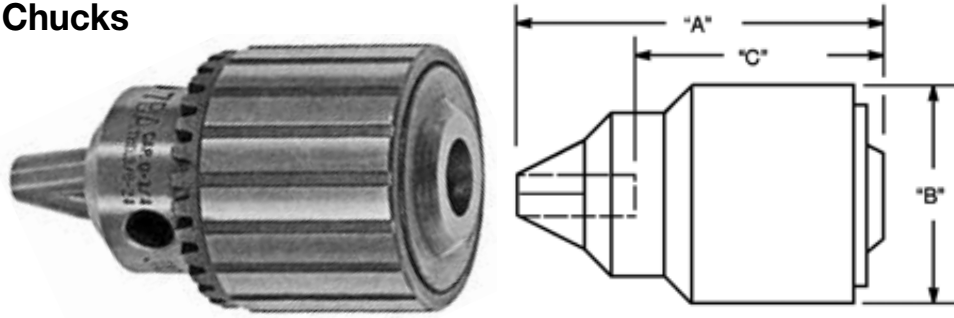


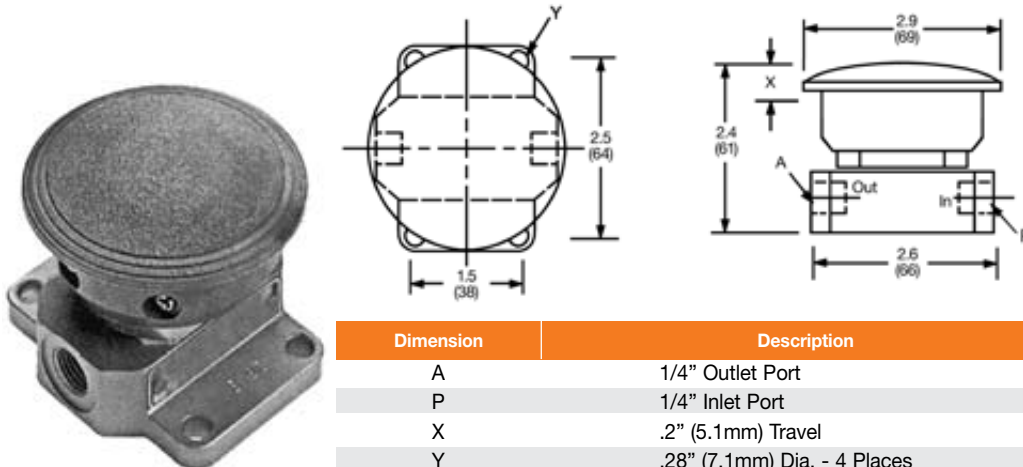
## Industrial 3-Jaw Chucks



Number	Term	Mount	Cap.	"A"		"B"		"C"	
				in.	mm	in.	mm	in.	mm
<b>21LD Series Only</b>									
1005953	—	#OJT	5/32	1.09	28	0.850	22	0.59	15
<b>21LD, 31LD, &amp; 42LD Series (3/8-24 Threaded Spindle)</b>									
1005078	-38	3/8-24	1/4	1.56	40	1.117	28	0.93	24
1001505	-42	3/8-24	1/4HD	1.71	43	1.290	33	1.02	26
1004422	-43	3/8-24	3/8HD	2.16	55	1.670	42	1.09	28
1001252	-51	3/8-24	3/8	1.93	49	1.420	36	1.09	28
1009726	-53	3/8-24	1/2	2.42	61	1.790	45	1.28	33
<b>46LD Series (1/2-20 Threaded Spindle)</b>									
1005398†	-38	1/2-20	1/4	1.75	44	1.320	34	1.08	27
1005000	-47	1/2-20	3/8	1.93	49	1.420	36	1.13	29
1005020†	-51	1/2-20	3/8	2.31	59	1.790	45	1.36	35
1000434	-53	1/2-20	1/2	2.42	61	1.790	45	1.28	33

† Quotation required

## 1022162 Remote Start Valve



Dimension	Description
A	1/4" Outlet Port
P	1/4" Inlet Port
X	.2" (5.1mm) Travel
Y	.28" (7.1mm) Dia. - 4 Places