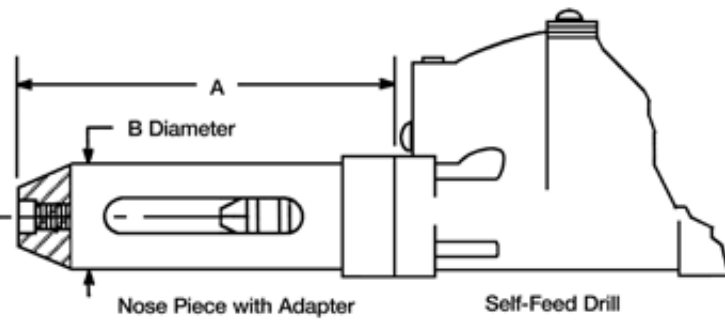
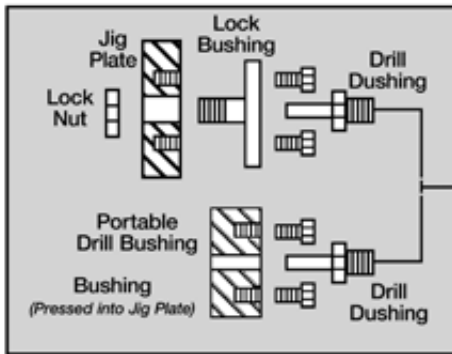


Aircraft Nose Mount



NOTE: Items in the shaded area are NOT supplied by Cooper Power Tools.

Part No.	A		B		Series	Description
	in.	mm	in.	mm		

Tool Used On 21LDin.

1025199	5.41	137	1.69	43	24000	Aluminum Material
1024259	6.50	165	1.69	43	21000	Aluminum Material
1024258	5.41	137	1.69	43	21000	Aluminum Material
1025302	7.00	178	1.69	43	21000	Aluminum Material

Tool Used On 31LD, 42LD

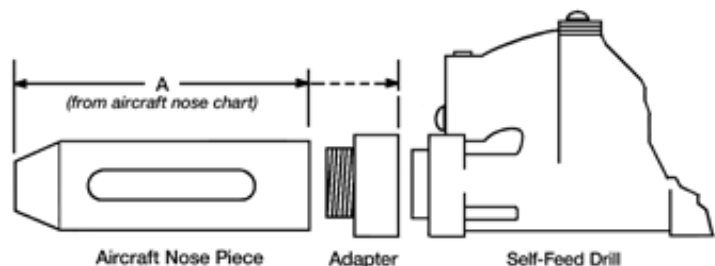
1025097	7.72	196	2.00	51	21000	Aluminum Material
1024260	7.72	196	2.00	51	22000	Aluminum Material
1024261	7.72	196	2.00	51	23000	Aluminum Material
1025351†	7.44	189	2.00	51	21000	Steel Material (includes 1024823 Adapter)
1025353	7.69	195	2.00	51	23000	Steel Material (includes 1024823 Adapter)
1025354†	7.69	195	2.00	51	24000	Steel Material (includes 1024823 Adapter)
1019119	7.72	196	2.00	51	21000	Aluminum Material (vacuum pick-up)
1019120†	7.72	196	2.00	51	22000	Aluminum Material (vacuum pick-up)
1019121†	7.72	196	2.00	51	23000	Aluminum Material (vacuum pick-up)
1019122†	7.72	196	2.00	51	24000	Aluminum Material (vacuum pick-up)

Tool Used On 46LD

621236	10.22	260	2.48	63	22000	Steel Material (1015949 Adapter & B109M Screws not included)
614767	10.22	260	2.48	63	23000	Steel Material (1015949 Adapter & B109M Screws not included)
614498	10.22	260	2.48	63	24000	Steel Material (1015949 Adapter & B109M Screws not included)
615682	10.22	260	2.48	63	25000	Steel Material (1015949 Adapter & B109M Screws not included)

† Quotation Required

Aircraft Nose Adapters



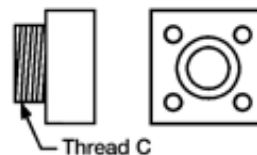
Part No.	Thread C	Description
----------	----------	-------------

Tool Used On 31L, 42L

1024823	1.825"-18 L.H.	Threaded Adapter - Steel Material
---------	----------------	-----------------------------------

Tool Used On 46L

1015949	2.250"-20 L.H.	Threaded Adapter - Steel Material
---------	----------------	-----------------------------------



NOTE: Adapters are included with the aircraft nose as required.