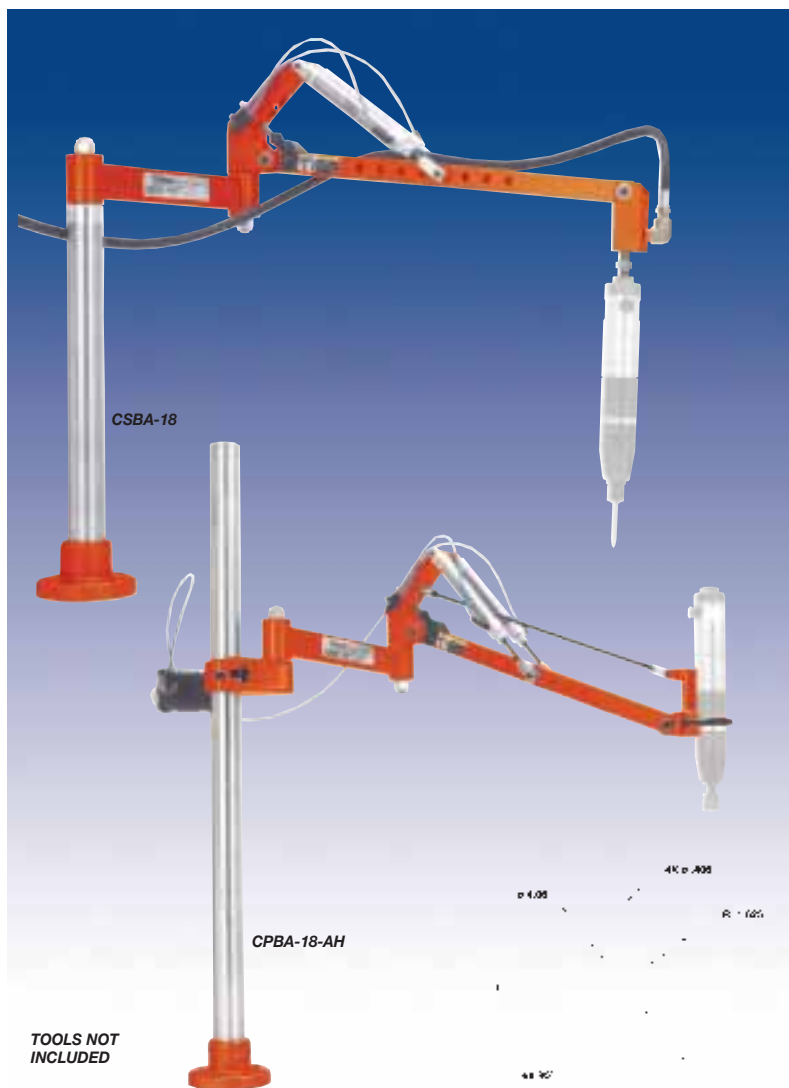
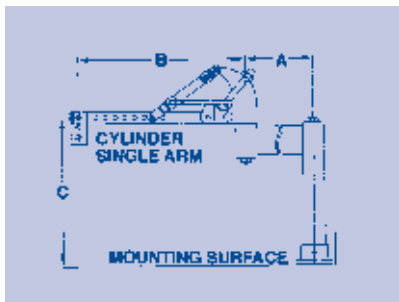
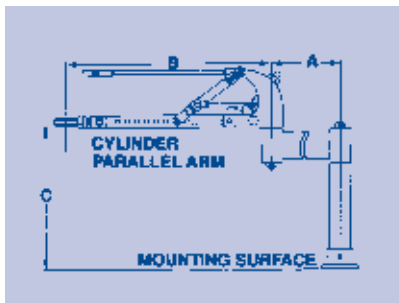


Balance Arms

Air Cylinder

Cleco®

- Ball bearing construction
- Supports tools weighing up to 10 lbs.
- Post, wall, or adjustable height post mounting
- Single or parallel arms



| Single Arms | | Parallel Arms | | Dimensions | | | | | | | |
|-------------|----------|---------------|----------|------------|-----|-----|-----|-----|-----|-------------|-----|
| Model No. | Code No. | Model No. | Code No. | A | | B | | C | | Post Height | |
| | | | | in. | mm | in. | mm | in. | mm | in. | mm |
| CSBA-18 | 520160 | CPBA-18 | 520170 | 12 | 305 | 18 | 457 | 18 | 457 | - | - |
| CSBA-24 | 520200 | | | 12 | 305 | 24 | 610 | 18 | 457 | - | - |
| CSBA-30 | 520201 | CPBA-30 | 520203 | 12 | 305 | 30 | 762 | 18 | 457 | - | - |
| CSBA-12-AH | 520165 | CPBA-12-AH | 520178 | 12 | 305 | 12 | 305 | - | - | 30 | 762 |
| CSBA-18-AH | 520162 | CPBA-18-AH | 520172 | 12 | 305 | 18 | 457 | - | - | 30 | 762 |
| CSBA-30-AH | 520167 | CPBA-30-AH | 520215 | 12 | 305 | 30 | 762 | - | - | 30 | 762 |
| | | CPBA-30-WM | 520207 | 12 | 305 | 30 | 762 | - | - | - | - |

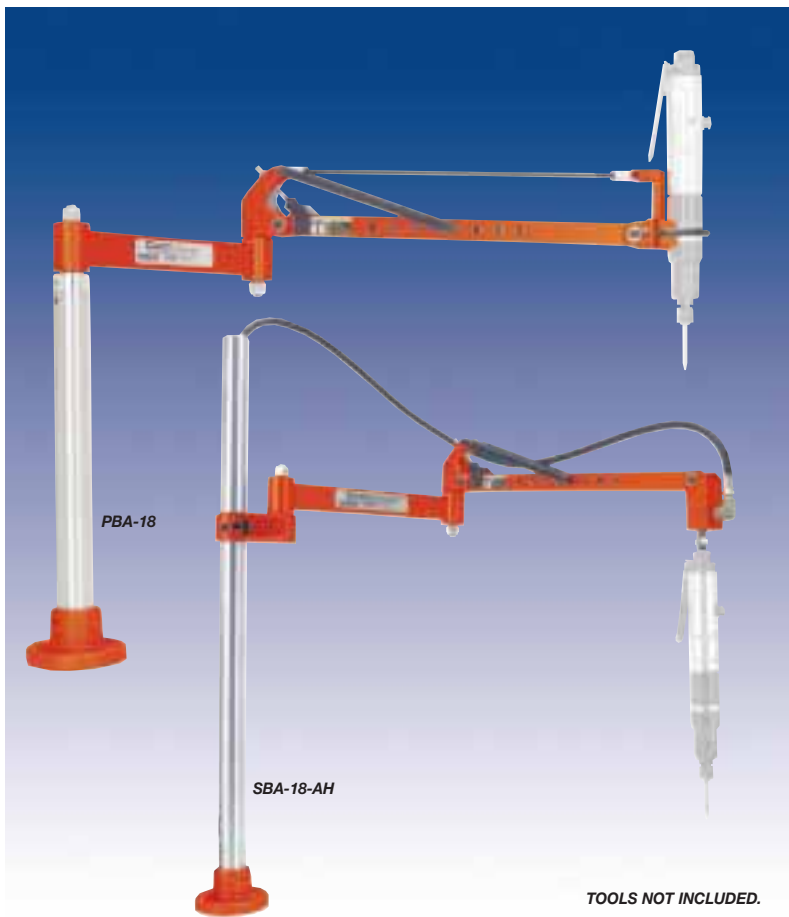
AH = Adjustable Height
 WM = Wall Mounted
 Tool weight capacity: 10 lbs. (4.6 kg)
 Torque capacity: 10 ft. lbs. (13.5 Nm)

STANDARD EQUIPMENT
 Operating Instructions and Service Manual.
 Regulator for Air Cylinders.
 Threaded Nipples for CSBA Models
 1/4 NPT Hex Nipple: 204032
 1/4 NPT x 1/8 NPT Hex Reducer
 Nipple: 204137

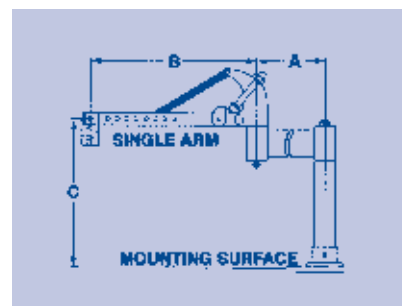
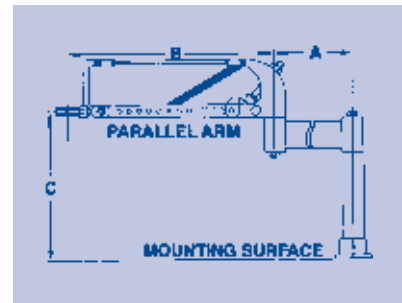
OPTIONAL EQUIPMENT
 Additional accessories: See page 30.

Cleco®

- Ball bearing construction
- Supports tools weighing up to 5 lbs.
- Post, wall, or adjustable height post mounting
- Single or parallel arms



TOOLS NOT INCLUDED.



| Single Arms | | Parallel Arms | | Dimensions | | | | | | | |
|-------------|----------|---------------|----------|------------|-----|-----|-----|-----|-----|-------------|-----|
| Model No. | Code No. | Model No. | Code No. | A | | B | | C | | Post Height | |
| | | | | in. | mm | in. | mm | in. | mm | in. | mm |
| SBA-12 | 520001 | PBA-12 | 520007 | 12 | 305 | 12 | 305 | 18 | 457 | - | - |
| SBA-18 | 520004 | PBA-18 | 520010 | 12 | 305 | 18 | 457 | 18 | 457 | - | - |
| | | PBA-24 | 520045 | 12 | 305 | 24 | 610 | 18 | 457 | - | - |
| SBA-12-AH | 520003 | PBA-12-AH | 520009 | 12 | 305 | 12 | 305 | - | - | 30 | 762 |
| SBA-18-AH | 520006 | PBA-18-AH | 520012 | 12 | 305 | 18 | 457 | - | - | 30 | 762 |
| SBA-24-AH | 520110 | PBA-24-AH | 520047 | 12 | 305 | 24 | 610 | - | - | 30 | 762 |
| SBA-30-AH | 520044 | PBA-30-AH | 520050 | 12 | 305 | 30 | 762 | - | - | 30 | 762 |
| | | PBA-18-18-AH | 520036 | 18 | 457 | 18 | 305 | - | - | 30 | 762 |
| | | PBA-12-WM | 520008 | 12 | 305 | 12 | 305 | - | - | - | - |
| SBA-30-WM | 520043 | | | 12 | 305 | 30 | 762 | - | - | - | - |

AH = Adjustable Height
 WM = Wall Mounted
 Tool weight capacity: 5 lbs. (2.3 kg)
 Torque capacity: 10 ft. lbs. (13.5 Nm)

STANDARD EQUIPMENT
 Operating Instructions and Service Manual.
 Threaded Nipples for SBA Models
 1/4 NPT Hex Nipple: 204032
 1/4 NPT x 1/8 NPT Hex Reducer
 Nipple: 204137

OPTIONAL EQUIPMENT
 Additional accessories: See page 30.

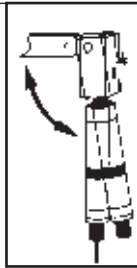
Accessories

Balance Arms

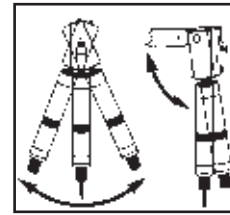
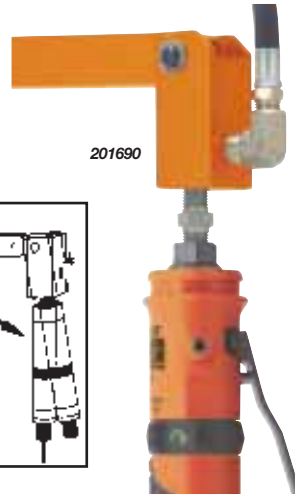
Single Arm Tool Holders

| Part No. | Description |
|----------|-----------------------------|
| 201690* | Manifold tool holder |
| 201601* | Swivel manifold tool holder |

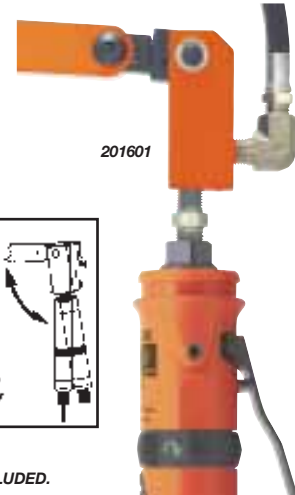
*Use of 201601 requires 201690.



201690



201601



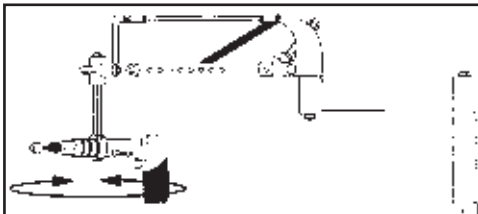
TOOLS NOT INCLUDED.

Parallel Arm Tool Holders

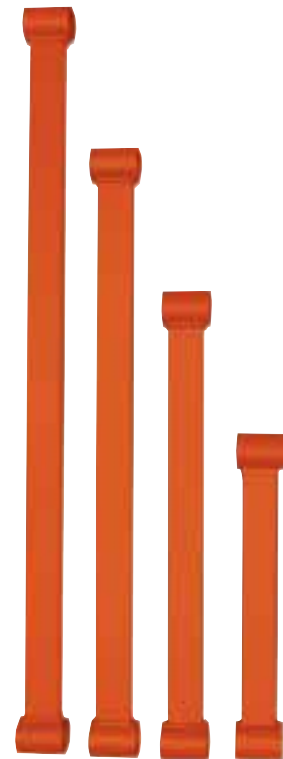
| Part No. | Description |
|----------|-------------------------------|
| 201675 | Parallel tool holder |
| 204167 | Extended parallel tool holder |
| 201607 | Swivel tool holder (small) |
| 201608 | Swivel tool holder (large) |



TOOLS NOT INCLUDED.



Articulating Arm Extensions



204120 204119 204122 204014

| Part No. | Length (in.) |
|----------|--------------|
| 204014 | 12 |
| 204122 | 18 |
| 204119 | 24 |
| 204120 | 30 |

Conversion Kits for Cleco Screwdriver Balance Arms

| To Convert Balance Arms | | Part No. |
|-------------------------|--------------|----------|
| From | To | |
| SBA-12 | PBA-12* | 521041 |
| SBA-18 | PBA-18* | 521042 |
| Spring | Cylinder | 201606 |
| SBA or PBA | SBA or PBA | |
| Standard Duty | Heavy Duty** | 521060 |

* Conversion kits for -24 and -30 models are available upon request.
 ** Has four springs to support heavier tools or longer arms.