

# Crowfoot Nutrunners


Clecomatic Clutch & Stall

# Cleco®

## 34 Series

Torque Range

14 - 30 Nm 10 - 22 Ft. Lbs.

- External torque adjustment (Clecomatic models)
- Indexable anglehead
- One torque spring to meet specified range
- Oilless blades 
- Reversible



**NOTE:** Models listed are examples. Use chart on bottom of facing page for specific model required but not listed.

Model Number		Free Speed	Torque Range		Socket Size		Length		Weight	
15 Degree Head	30 Degree Head	RPM	ft.-lbs.	Nm	in.	mm	in.	mm	lbs.	kg

### Clecomatic - Lever Start - Reversible

34RCA30D1	34RCA30D3	425	11-22	15-30	5/16	8	20.0	507	4.7	2.2
-----------	-----------	-----	-------	-------	------	---	------	-----	-----	-----

### Stall - Lever Start - Reversible

34RCS29D1	34RCS29D3	490	21	29	5/16	8	19.6	497	4.5	2.1
-----------	-----------	-----	----	----	------	---	------	-----	-----	-----

**GENERAL:**

Air Inlet: 3/8" NPT  
 Minimum Hose Size: 5/16"  
 Tool performance rated at 90 psi (620kPa) air pressure.

**STANDARD EQUIPMENT:**

Operating instructions & service manual  
 Suspension bail  
 Exhaust Overhose  
 Clutch adjustment tool (Clecomatic tools)

**EXTRA EQUIPMENT:**

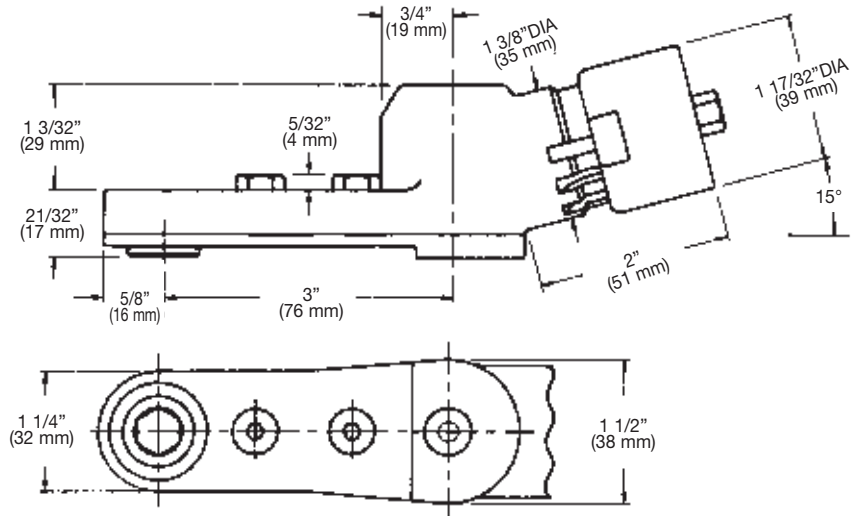
Specify socket from page 47.

**OPTIONAL EQUIPMENT:**

Assembly wrench: 201898  
 Torque signal kit: 201900  
 Non-reversible kit: 204999  
 Additional accessories: Page 57

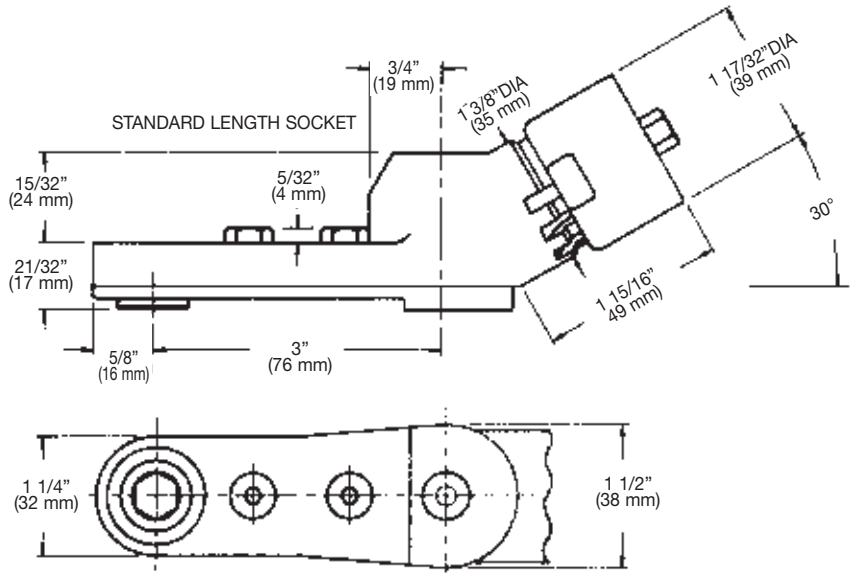
## 15° HEAD

Part Number: 301071  
 Maximum Recommended  
 Torque: 22 ft. lb. (30 Nm)



## 30° HEAD

Part Number: 301072  
 Maximum Recommended  
 Torque: 22 ft. lb. (30 Nm)



## Crowfoot Sockets

Socket Number	Socket Size	Extension	Socket Number	Socket Size	Extension
CSEA01	EA-1/4"	Flush	CSEC41	EC-3/8"	1/2"
CSEC01	EC-3/8"	Flush	CSED41	ED-7/16"	1/2"
CSED01	ED-7/16"	Flush	CSMB41	MB-8mm/5/16"	1/2"
CSEE01	EE-1/2"	Flush	CSMD41	MD-10mm	1/2"
CSEF01	EF-9/16"	Flush	CSMF41	MF-12mm	1/2"
CSMB01	MB-8mm/5/16"	Flush	CSMG41	MG-13mm	1/2"
CSMD01	MD-10mm	Flush	CSEE61	EE-1/2"	3/4"
CSME01	ME-11mm	Flush	CSMG61	MG-13mm	3/4"
CSMF01	MF-12mm	Flush	CSMH61	MH-14mm	3/4"
CSMG01	MG-13mm	Flush			
CSMH01	MH-14mm	Flush			
CSMI01	MI-15mm	Flush			