

Hook Mounted Hoists

GARDNER-DENVER®

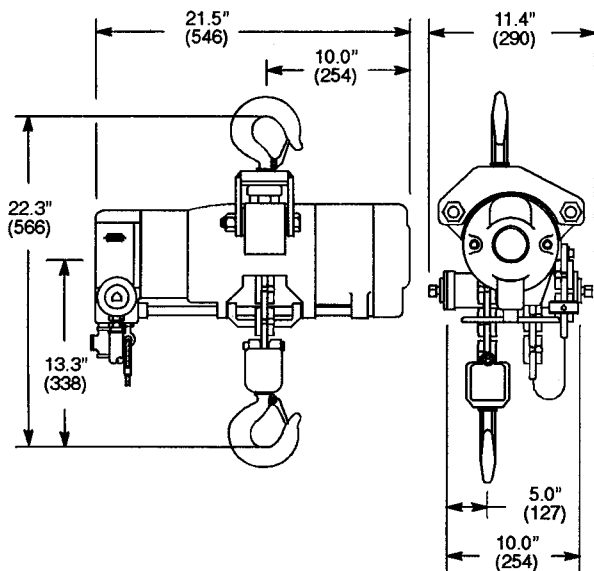
P3 Series

Capacity:
2200-8000 lbs.
1000-3629 kg

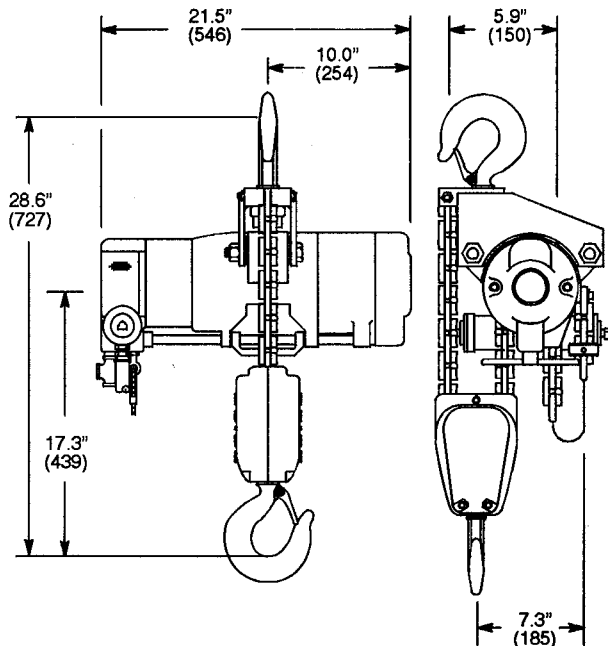
- Axial Piston Air Motor
- Pendant Control
- Link Chain



Single Reeved
2200 lbs. (1000 kg) & 4300 lbs. (1950 kg) Capacity



Double Reeved
8000 lbs. (3629 kg) Capacity



Hook Mounted Hoists

	P3	H	A	22	L	P	E	P	---	A	A	A	22	
SERIES													CAPACITY RATING	
P3													11 = 1100 lbs. (22)	
TYPE MOUNT													20 = 2000 lbs. (22/43)	
H = Hook													22 = 2200 lbs. (22/43)	
FEATURES													40 = 4000 lbs. (43)	
A = Standard Unit													43 = 4300 lbs. (43)	
H = Hi Temp Grease													50 = 5000 lbs. (80)	
P = Epoxy Paint													60 = 6000 lbs. (80)	
S = Epoxy Paint/Hi Temp Grease													80 = 8000 lbs. (80)	
CAPACITY													VINTAGE	
22 = 2200 lbs.													A	
43 = 4300 lbs.													LOWER HOOK	
80 = 8000 lbs.													A = Standard (22/43)	
CHAIN TYPE													B = Bullard (22/43)	
L = Link													C = Standard (80)	
CONTROL TYPE													D = Bullard (80)	
L = Pendent (Hoist w/Hoistractor-4LVR)													X = No Hook	
P = Pendent Standard (STD-2LVR)													UPPER HOOK	
X = None-Pendent ready													A = Standard (22/43)	
CONTROL LENGTH													B = Bullard (22/43)	
E = 5 FT													C = Standard (80)	
J = 10 FT													D = Bullard (80)	
O = 15 FT													X = No Hook	
T = 20 FT													AMOUNT OF LIFT	
Y = 25 FT													-- Specify Length in Feet, 3 digits	
Z = No Control Length													Example: 10' lift 010	
CHAIN OPTIONS														
L = Standard Link														
P = Zinc Plated Link														
X = No Chain														

Note: Numbers in parentheses following an option, represent the hoist capacities for which that option is available.

Model Number	Chain Type	Capacity		Lifting & Lowering Speeds				Reeves	Weight	
				Maximum Lift		Maximum Lower				
		lbs.	kg	fpm	mpm	fpm	mpm		lbs.	kg
P3HA22LPEP010AAA22	Link	2200	1000	30	9	80	24	1	135	61
P3HA43LPEP010AAA43	Link	4300	1950	15	5	40	12	1	135	61
P3HA80LPEP010CCA80	Link	8000	3629	7	2	20	6	2	180	82

GENERAL:

Air Inlet: 1/2" NPT (use 3/4" I.D. Hose)
 Performance rated at 90 psig (6 bar/620 kPa) air pressure.
 Air Consumption 83 cfm (2.35 m³/min.) at rated load.

STANDARD EQUIPMENT:

Hook mounted air hoist with 10 ft. (3.0) lift
 Pendent Control: 5 ft. (1.5m) hose length

EXTRA EQUIPMENT:

Chain container – page 53
 Hoist trolleys – page 20
 Auxiliary cable (Backup suspension) – page 55
 Tractor connection kit – 516710