

Lug Mounted Hoists

GARDNER-DENVER®

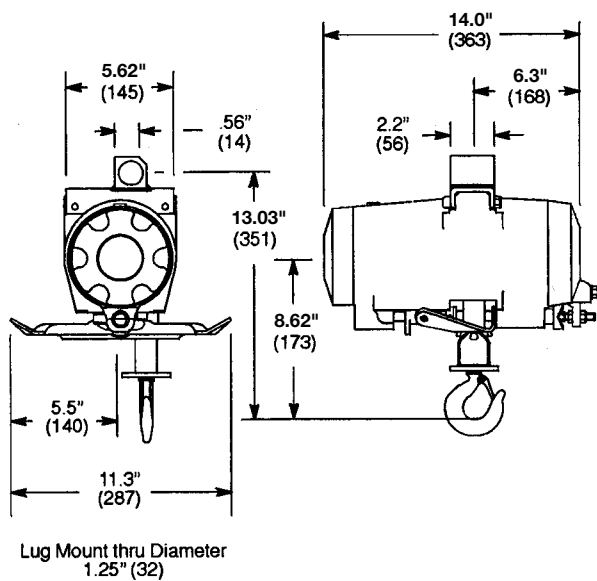
K5 Series

Capacity:
550-2200 lbs.
250-1000 kg

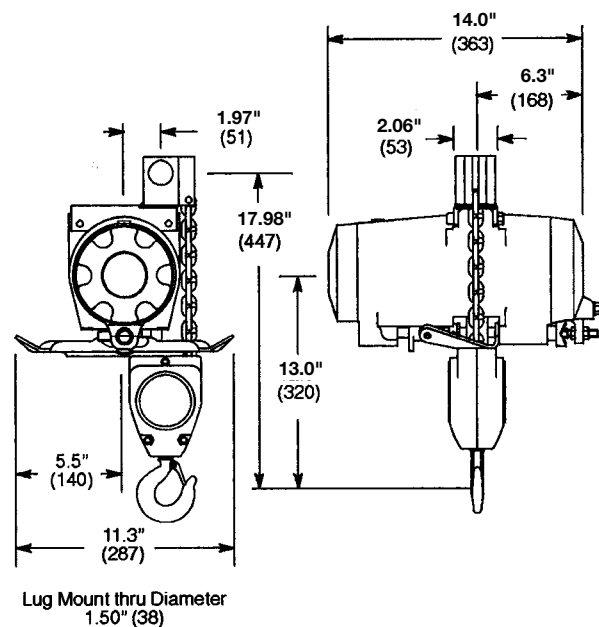
- Rotary Vane Air Motor
- Rope or Pendant Control
- Link Chain



Single Reeved
550 lbs. (250 kg) & 1100 lbs. (500 kg) Capacity



Double Reeved
2200 lbs. (1000 kg) Capacity



Lug Mounted Hoists

K5 L A 05 L P E L --- A A A 05										
SERIES K5							CAPACITY RATING			
TYPE MOUNT L = Lug							05 = 550 lbs. (05/11) 06 = 550 lbs. (22) 11 = 1100 lbs. (11) 12 = 1100 lbs. (22) 22 = 2200 lbs. (22)			
FEATURES A = Standard Unit H = Hi Temp Grease P = Epoxy Paint S = Epoxy Paint/Hi Temp Grease							VINTAGE A			
CAPACITY 05 = 550 lbs. 11 = 1100 lbs. 22 = 2200 lbs.							LOWER HOOK A = Standard Link (05/11) B = Bullard Link (05/11) E = Standard Link (22) F = Bullard Link (22) X = No Hook			
CHAIN TYPE L = Link							UPPER LUG A = Standard (05/11) B = Standard (22) X = No Chain			
CONTROL TYPE P = Pendent (Standard-2LVR) R = Rope W = None-Pendent Ready X = None							LIFT LENGTH Specify Length in Feet, 3 digits Example: 10' lift 010			
CONTROL LENGTH E = 5 FT T = 20 FT J = 10 FT Y = 25 FT O = 15 FT Z = None										
CHAIN TYPE L = Standard Link P = Zinc Plated Link X = No Chain										

Note: Numbers in parentheses following an option, represent the hoist capacities for which that option is available.

Model Number		Chain Type	Capacity		Lifting & Lowering Speeds				Reeves	Weight	
Pendent Control	Rope Control				Maximum Lift		Maximum Lower			Weight	
			lbs.	kg	fpm	mpm	fpm	mpm		lbs.	kg
K5LA05LPEL010AAA05	K5LA05LREL010AAA05	Link	550	250	40-67	12-20	110-147	33-44	1	42	19
K5LA11LPEL010AAA11	K5LA11LREL010AAA11	Link	1100	500	20-50	6-15	80-120	24-36	1	42	19
K5LA22LPEL010BEA22	K5LA22LREL010BEA22	Link	2200	1000	10-25	3-7	40-60	12-18	2	54	25

GENERAL:

Air Inlet: 1/2" NPT (use 3/4" I.D. Hose)
 Performance rated at 90 psig (6 bar/620 kPa) air pressure.
 Air Consumption 75 cfm (2.12 m³/min.) at rated load.

STANDARD EQUIPMENT:

Lug mounted air hoist with 10 ft. (3.0m) lift
 Rope Control: 5 ft. (1.5m) rope length
 Pendent Control: 5 ft. (1.5m) hose length

EXTRA EQUIPMENT:

Chain container – page 53
 Hoist trolleys – page 26
 Auxiliary cable (Backup suspension) – page 55
 Air strainer intake fitting – A10161
 Piped exhaust adapter (3/4"NPT) – 536567